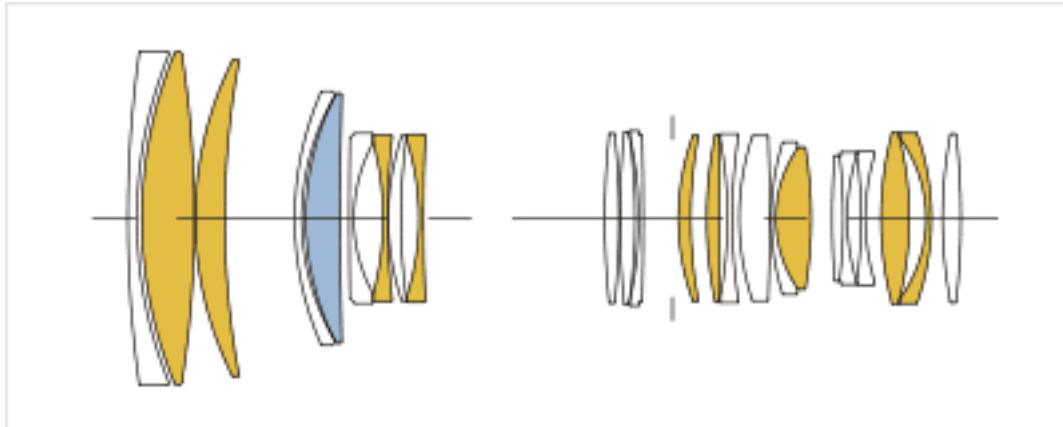


Sigma 70-200mm f2.8 DG OS HSM Sports Lens

Product Specification

Sigma 70-200mm f2.8 DG OS HSM Sports Lens

Lens construction



- FLD glass
- SLD glass

Specifications

Lens construction	24 elements in 22 groups
Angle of view (35mm)	34.3-12.3°
Number of diaphragm blades	11 (Rounded diaphragm)
Minimum aperture	F22
Minimum focusing distance	120cm / 47.2in.
Maximum magnification ratio	1:4.8
Filter size	φ82mm
Dimensions (diameter x length)	φ94.2mm x 202.9mm / φ3.7in. x 8.0in.
Weight	1,805g / 63.7oz.

All figures calculated by SIGMA.

Appearance and specifications are subject to change without notice.

Case, Petal Type Hood with lock (LH914-01), Built-in Tripod Socket (Non-detachable)